



# TD300



RS485,232  
Communication



Easy to configure  
with the touch panel



Save function  
with SD card



## Features

- Touch Panel Color LCD screen
- 2 channels control
- 100 patterns max, 100 segments / pattern (Total 2400 segments)
- PID auto tuning
- Various alarm functions (output : 4 contacts, operation : 20 types)
- Digital input 8 contacts, digital output 16 contacts
- Communication function (RS485 or RS232 depends on the suffix code)
- Data saving and parameter back-up functions with SD card

## Suffix code

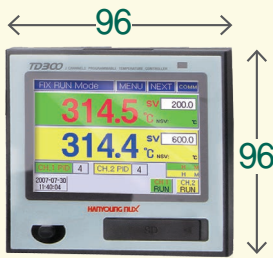
MODEL	CODE	DESCRIPTION
TD300	<input type="checkbox"/> <input type="checkbox"/>	2 channel programmable temperature controller 96(W) X 96(H) X 100(D)
Communication	1	RS485 / 422
	2	RS232C
Languages	1	Korean / English ( Standard )
	2	English / Chinese (Simplified)
	3	English, Chinese (Traditional)

## Functions

Input type	RTD 1 type, TC 6 type, VDC 2 type	Recovery from power failure	STOP/COLD/HOT Recovery
Control output	SSR	Language	Korean and English
PID Group	Each channel 4 Zones, Selectable between manual or automatic	Communication	Select RS232 or RS485
Control Method	Heating control or Heating/Cooling control in each channel, PID or ON/OFF control	Power supply	100 - 240V a.c, voltage fluctuation rate : $\pm 10\%$
Event Log	Max 40 Event Logs could be saved depend on various situations	Temperature/humidity of operation	0 ~ 50°C, 20 - 90% R.H (without dew condensation)
Alarm Setup	4 points, High, Low, Deviation etc, 20 kinds		

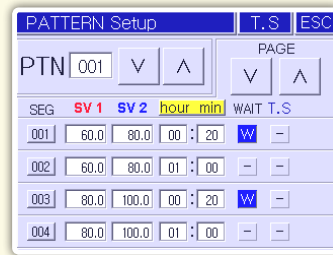
## Main Function

### ● 96X96 compact size



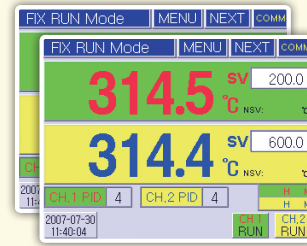
### ● Program setting

- Up to 100 patterns (up to 2,400 segments)
- Up to 100 segments per pattern

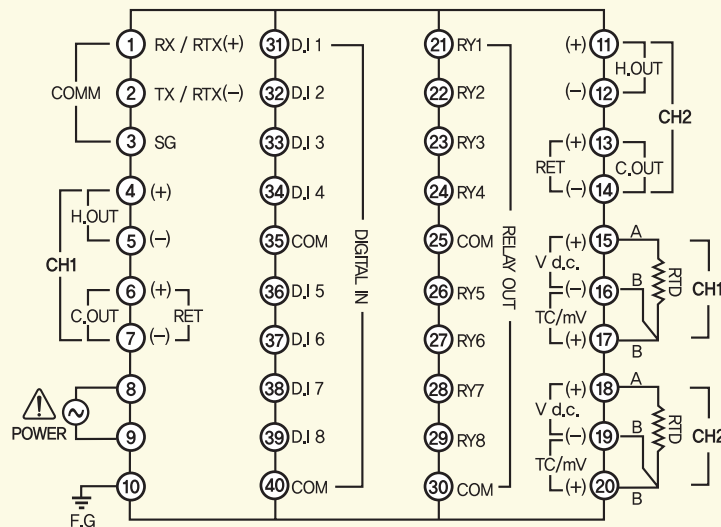


### ● Digital recording

- Check the saved data in internal memory / SD card



## Connection diagram



**HANYOUNG NUX CO.,LTD.**

28, Gilpa-ro 71 beon-gil, Nam-gu, Incheon, Korea

Tel : +82-32-876-4697 Fax : +82-32-876-4696 E-mail : overseas@hynux.com

※ Information in this catalog may change without prior notice for upgrade purpose.

LE170119